

## NPT SERIES NPT1 FLUID TEMPERATURE SENSOR



The NPT1 Series of High Performance Temperature Sensors are designed to measure the temperatures of Fluid in demanding motorsport and automotive testing applications.

The sensing element can be either a PT1000 or a NTC Thermistor; calibration of each is well defined and can be installed into most common ECUs and data logging systems.

Construction in Brass with standard motorsports cable and sleeve will protect from the harsh environments around the vehicle.

The NPT1 Series are race proven in many Formula around the world and offer a reliable and robust solution for professional engineers.

## Sensors For Motorsport

### Features

- 1/8 NPT Thread
- Miniature Size
- -30°C to +150°C
- PT1000 or NTC
- Rugged Construction

## TECHNICAL SPECIFICATIONS

<b>Ranges (FS)</b>	-30°C to +150°C
<b>Accuracy</b>	<±1°C
<b>Response Time</b>	<10 Seconds
<b>Seal</b>	N/A
<b>Sensor Type</b>	Please See Table on Right
<b>Construction</b>	Brass or Stainless Steel
<b>Electrical Connection</b>	30cm, 26AWG 55Spec + DR25 Sleeve
<b>Mechanical Connection</b>	1/8 Inch NPT Male (ANSI B1.20.1)
<b>Protection Class</b>	IP67
<b>Vibration</b>	Mil-Std-810C, Curve L, 20G
<b>Weight (Excluding Cable)</b>	Brass: 20g Stainless Steel: 20g
<b>Options</b>	Cable Spec, Connector and Labelling

	NTC3KΩ	PT1000
Temp °C	Output Ω	Output Ω
-30	53100.000	882.200
-20	29121.000	921.600
-10	16599.000	960.900
0	9795.000	1000.000
10	5970.000	1039.000
20	3747.000	1077.900
25	3000.000	1097.300
30	2417.100	1116.700
40	1598.100	1155.400
50	1080.900	1194.000
60	746.400	1232.400
70	525.600	1270.800
80	376.500	1309.000
90	274.590	1347.100
100	203.460	1385.100
110	153.090	1422.900
120	116.790	1460.700
130	90.279	1498.300
140	70.581	1535.800
150	55.791	1573.300

### Applications

- Coolant
- Water
- Brake
- Fuel
- Oil

kasensors.com

sales@kasensors.com

+44(0)1476 568057

NPT1 10.18

KA Sensors adopts a continuous development program which sometimes necessitates specification changes without notice.

# PART NUMBER CONFIGURATOR

**Mounting Thread**

1/8 Inch NPT Male (ANSI B1.20.1)- 1

**Construction**

Brass B  
Stainless Steel S

**Sensor Type**

NTC, 2-Wire 3KΩ@25°C 3K  
PT1000, 2-Wire Class A PT

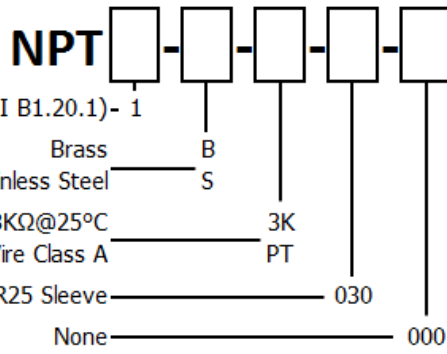
**Cable Length**

30cm, 55Spec, 26 AWG Cable + DR25 Sleeve 030

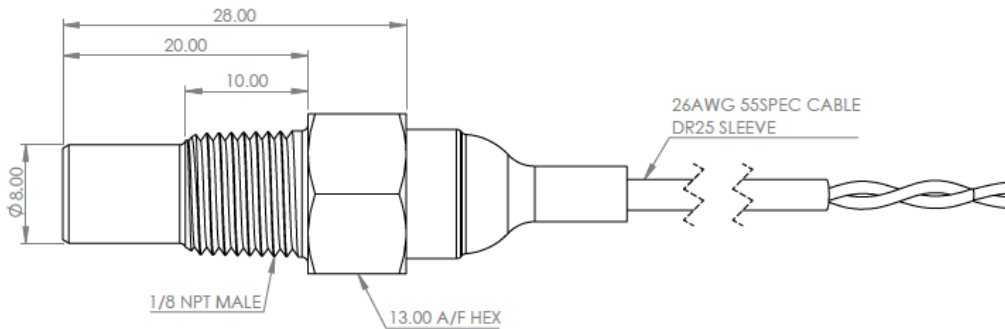
**Special Code**

None 000

The KA configuration tool is used to specify a standard KA Sensor, other options are available.



## MECHANICAL DETAILS



## CONNECTION DETAILS

Output	Output
Red	White

*Sense  
Analyse  
Control*

Services for:

- Data Logging
- Telemetry
- Controls
- Wiring

Contact us

KA Sensors Ltd  
Unit 14 & 15  
The Old Malthouse  
Springfield Road  
Grantham  
Lincolnshire  
United Kingdom  
NG31 7BG

kasensors.com  
sales@kasensors.com  
+44(0)1476 568057

NPT1 10.18